

东莞市裕智电子有限公司
Dong Guan Yu Zhi Electronic LTD

承认书

SPECIFICATION FOR APPROVAL

CUSTOMER (客户名称): _____
DESCRIPTION (产品名称): 贴片空芯线圈
CUSTOMER P/N (客户型号): E2L0.6*2.0*4T
RF PART NO (本司型号): E2L0.6*2.0*4T
DATE (日期): 2021.5.27
DEV (版本): A

出图 DRAWING			承认 CUSTOMER APPROVE
编制 PREPAED BY	审核 CHECKED BY	核准 CHECKED BY	

承认书编号 SFA NO: RF202052701

【SPECIFICATION FOR APPROVAL】

CUSTOMER	CUS. P/N	PAGE NO	1/3
P/N	E2L0.6*2.0*4T	DATE	2021.5.27

1. PART NUMBERING SYSTEM

Φ0.6	2.0	4T	L	T
1	2	3	4	5

1. WIRE

2. WIDTH OF INSIDE WINDING _____

3. TURNS

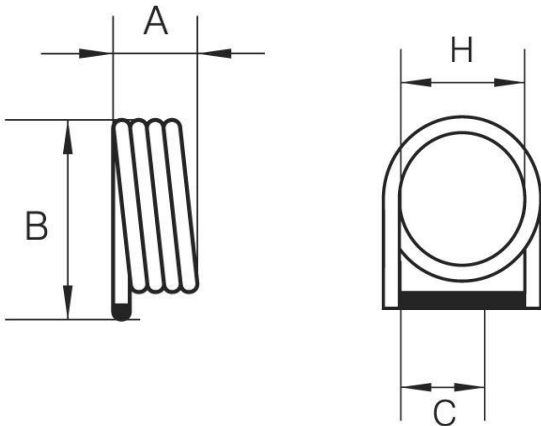
4. MAKE THE ROUND OF ASPECT: L-(顺时针方向) R-(逆时针方向)

5. PACKING CODE: T-TAPE B-BULK

2. EXTERNAL DIMENSIONS:

UNIT:mm

备注: 线圈剥漆焊锡位置



MIN: 2.7MM

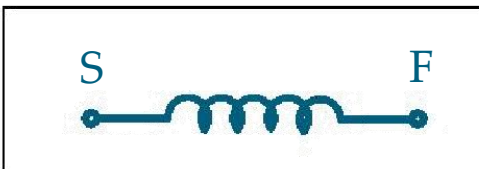
MAX: 1/4圆

POSITION	A	B	C	H	E			
E2L0.6*2.0*4T	3.1±0.1	4.3±0.1	2.7±0.1	2.0				

3. MATERIAL LIST:

ITEM	MATERIAL	SOLDER	ROHS
WIRE	QZ-H155(耐热温度155℃) Φ0.5mm	Sn99.95(无铅锡)	
SUPPLIER	太平洋	千岛锡业	

4. CIRCUIT:



【SPECIFICATION FOR APPROVAL】

CUSTOMER		CUS. P/N	<u>E2L0. 6*2. 0*4T</u>	PAGE NO	2 /3
R.F P/N	<u>E2L0. 6*2. 0*4T</u>		DATE	2021. 5. 27	

5.DIMENSION(NUIT:mm):

E2L0. 6*2. 0*4T	A	B	C	H
	3. 12	4. 3	2. 71	2. 0
	3. 11	4. 31	2. 73	2. 0
	3. 15	4. 28	2. 70	2. 0
	3. 13	4. 29	2. 70	2. 0
	3. 12	4. 30	2. 72	2. 0
	3. 12	4. 32	2. 71	2. 0

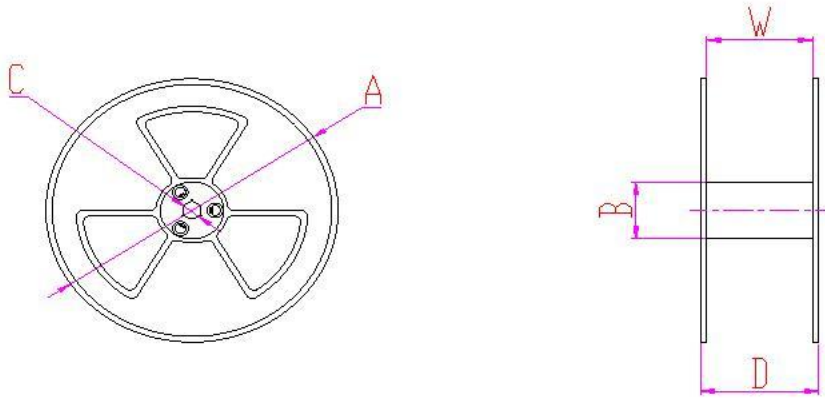
DESIGNED BY	CHECKED BY	APPROVED BY
李思思	吴丽琼	吴东日

【 SPECIFICATION FOR APPROVAL 】

CUSTOMER		CUS. P/N	<u>E2L0.6*2.0*4T</u>	PAGE NO	3/3
R.F P/N	E2L0.6*2.0*4T	DATE	2021.5.27		

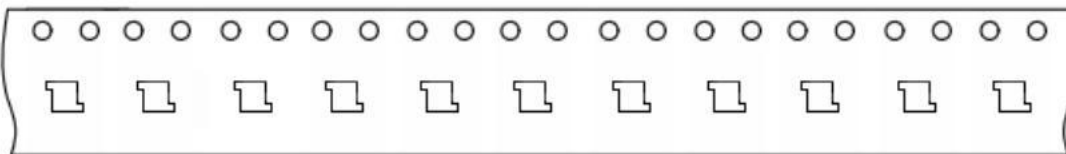
6.PACKING

1. 每卷轴包装数量:2000PCS/T(开始留空40cm左右, 结尾留空25cm左右不装COIL), 贴上正确的标签, 卷轴尺寸及载带外形, 如图: (NUIT: mm)



卷轴尺寸 (REEL DIMENSIONS)一般公差±0.5mm

A	B	C	W	D
Φ330	Φ100	Φ13.5	12.5	15.5



进料方向

DESIGNED BY	CHECKED BY	APPROVED BY
李思思	吴丽琼	吴东日